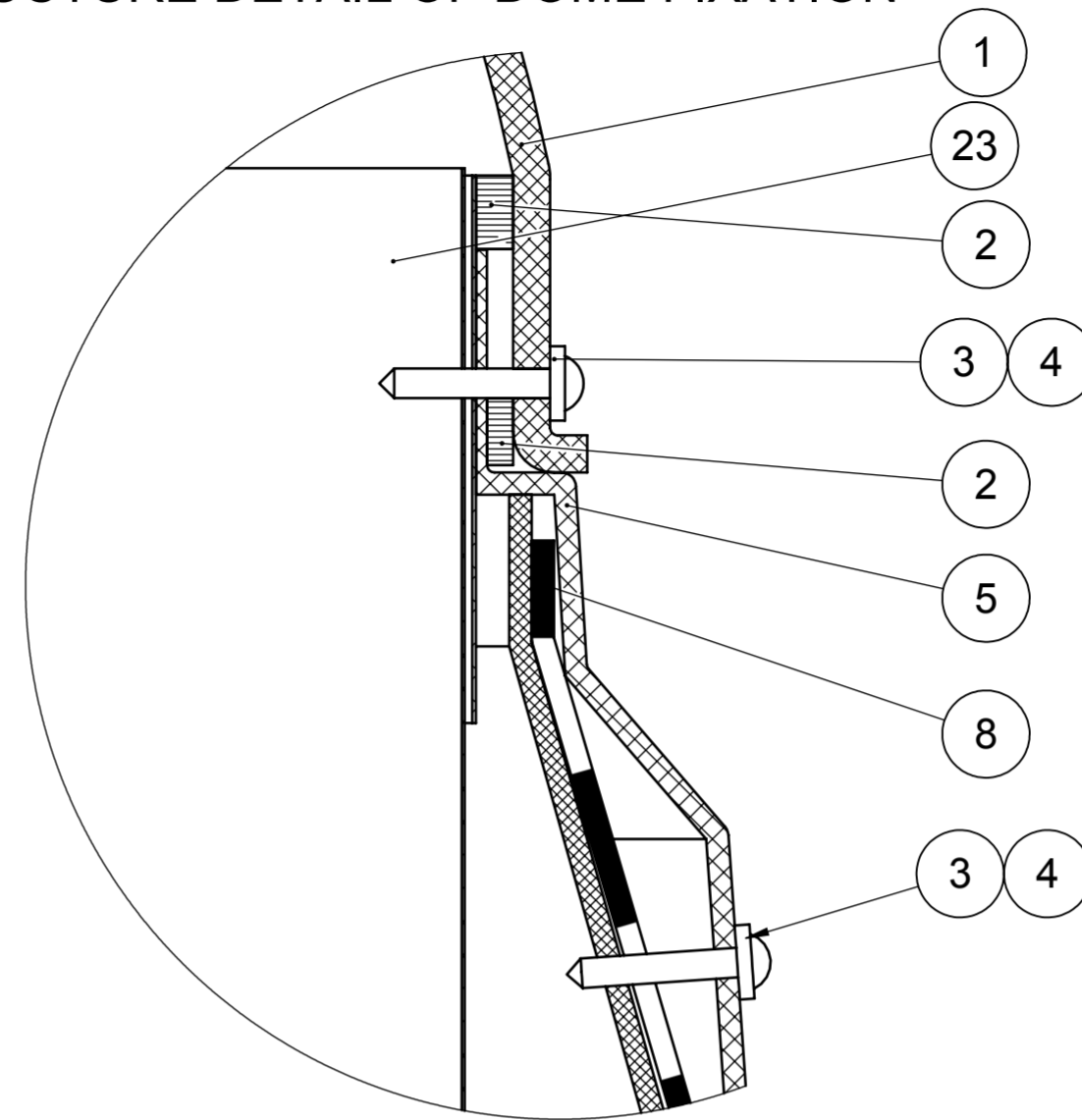
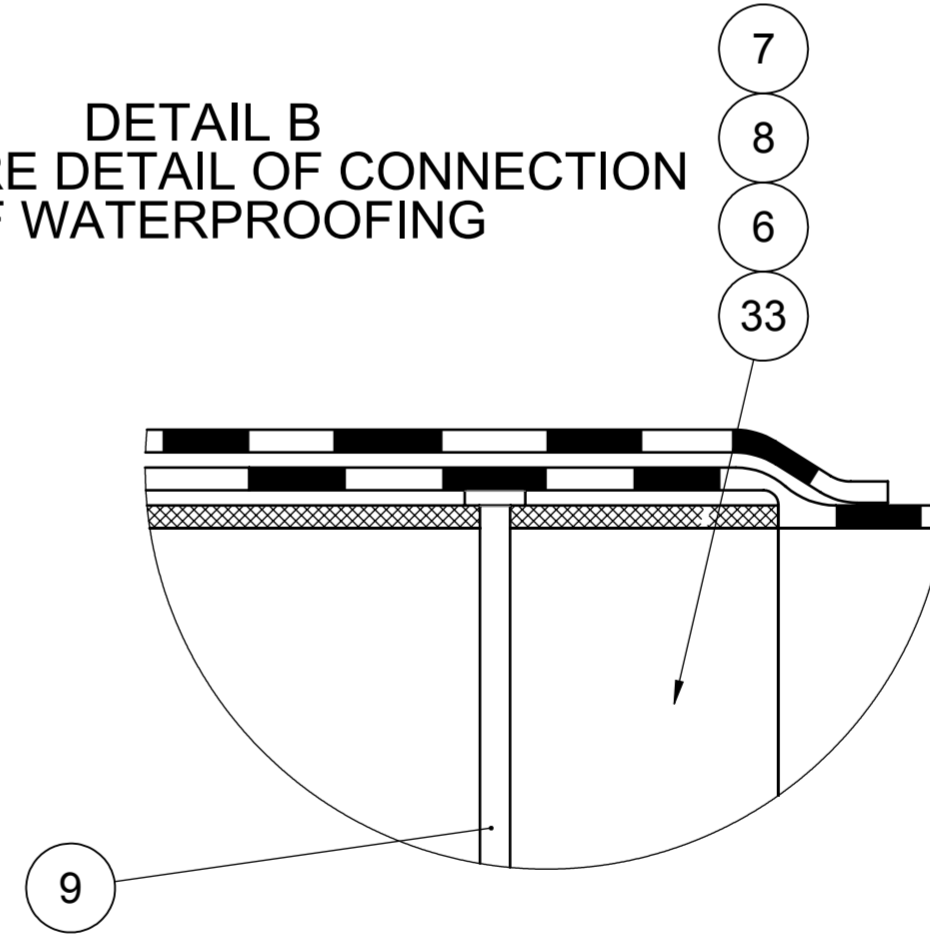


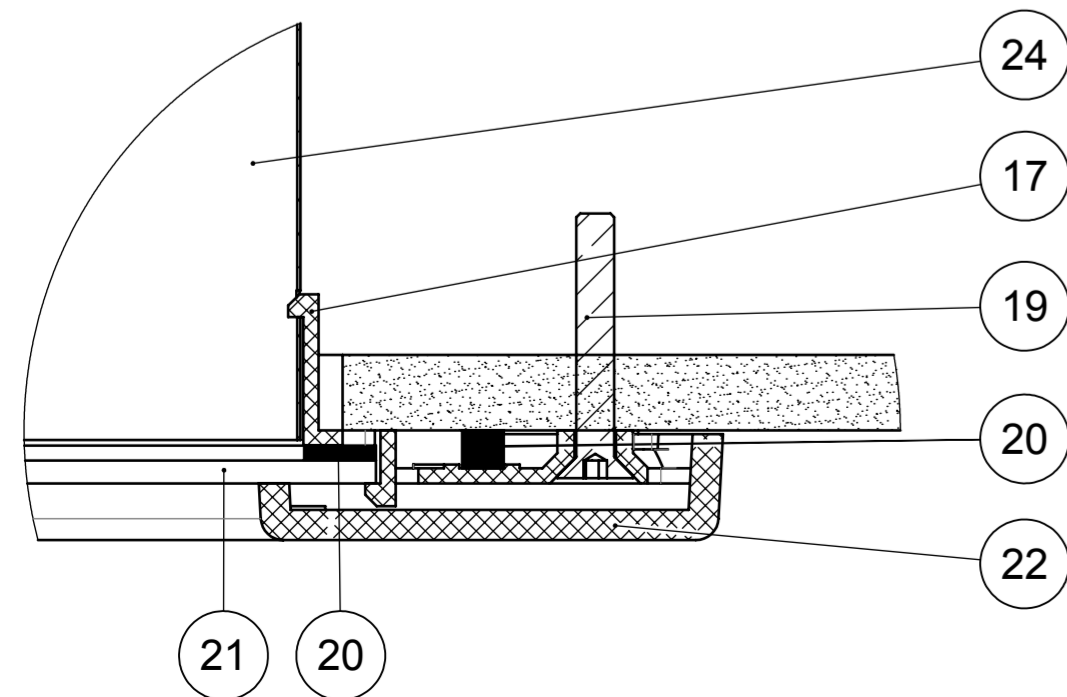
DETAIL A  
STRUCTURE DETAIL OF DOME FIXATION



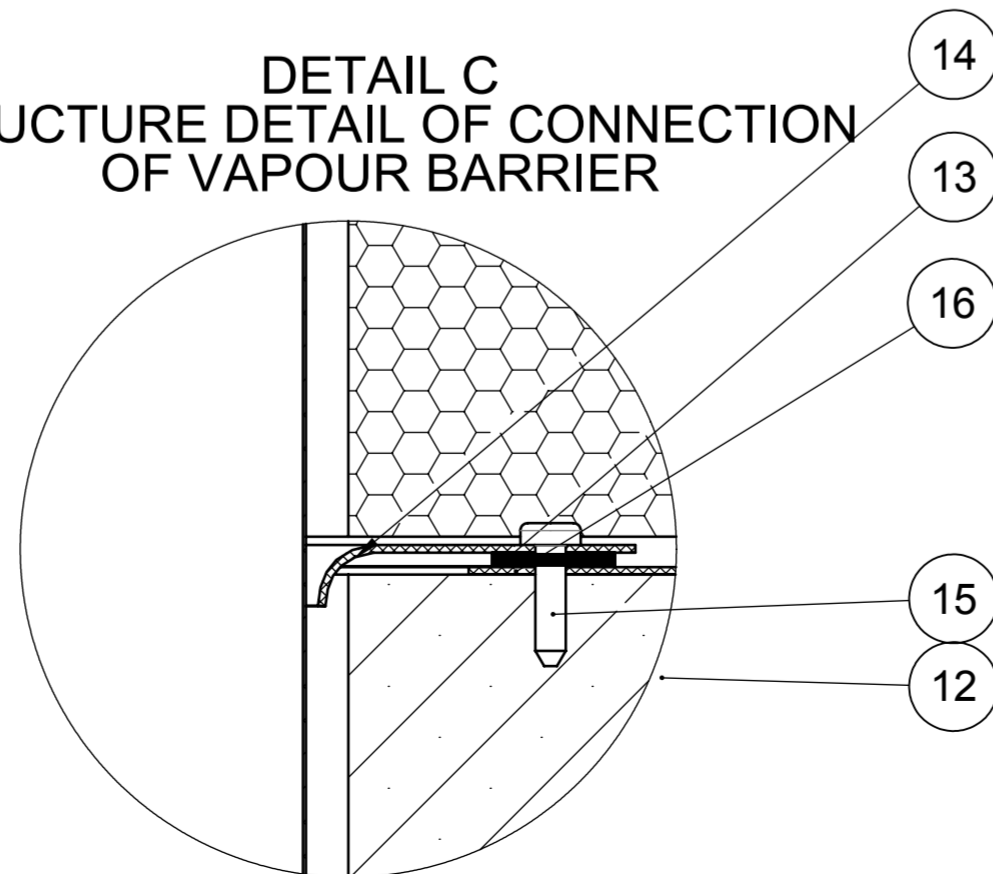
DETAIL B  
STRUCTURE DETAIL OF CONNECTION  
OF WATERPROOFING



DETAIL D  
STRUCTURE DETAIL OF DIFFUSER



DETAIL C  
STRUCTURE DETAIL OF CONNECTION  
OF VAPOUR BARRIER



LEGEND:

POS.	NAME
1	DOMES
2	BRUSHED NYLON GASKED
3	ELASTIC WASHER
4	SCREW
5	COLLAR
6	FLASHING PLATE FOR FLAT ROOF
7	WATERPROOFING OF FLASHING PLATE
8	WATERPROOFING OF ROOF
9	SYSTEM FASTENER
10	EXTRUDED POLYSTYREN
11	INSULATION
12	CEILING STRUCTURE
13	BITUMEN SEALANTS
14	ELASTIC VAPOUR BARRIER LIGHTWAY
15	SYSTEM FASTENER
16	VAPOUR BARRIER e.g. JUTA
17	DIFFUSER HOLDER
18	PLASTER
19	SCREW
20	SEALING
21	DIFFUSER
22	FRAME
33	ISOLATION ELEMENT BLUE PERFORMANCE

MATERIAL LEGEND:

	INSULATION
	PLASTER
	PLASTIC
	CONCRETE
	WOOD
	EXTRUDED POLYSTYREN

EXAMPLE OF FIXING LIGHTWAY SILVER WITH ISOLATION ELEMENT BLUE PERFORMANCE IN FLAT ROOF WITH ONE ROOF DECK

**lightway**<sup>®</sup>  
crystal tubular skylights

NO: SBDBP-0011-EN  
VERSION: 1/2011